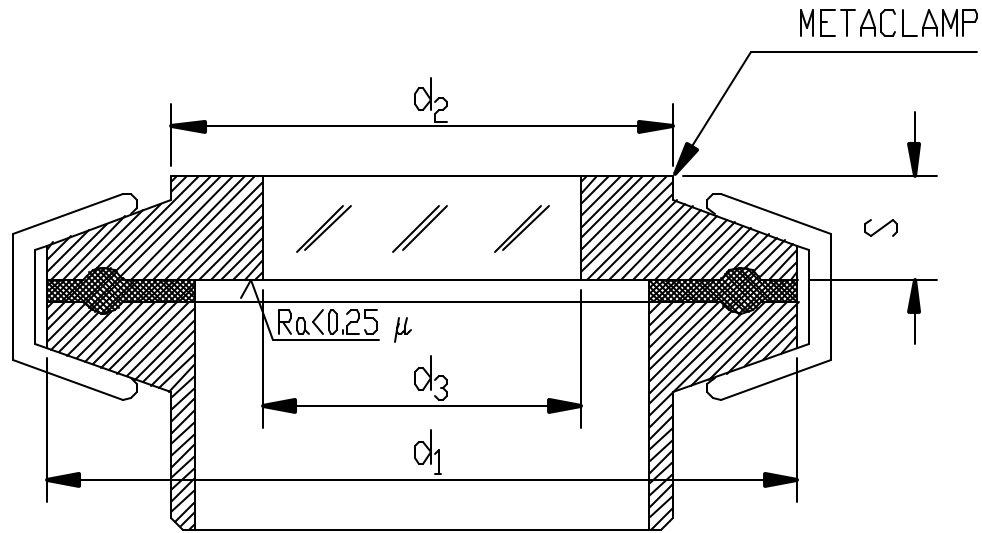


# METACLAMP® DISC

NO. 180



MANUFACTURED AND TESTED IN CONFORMANCE WITH A.D. STANDARDS SERIES H.P. & A.D. STANDARD WD/ TRD 100

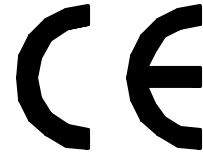
SIGHT GLASS FUSED TO METAL CONFORMING TO DIN 7079

GLASS: BOROSILICATE (DIN 7080)

RING MATERIAL: DUPLEX STAINLESS STEEL (1.4462)

HASTELLOY C-22, C-276, C-4 (NOT 3A APPROVED)

MAXIMUM ALLOWABLE WORKING TEMPERATURE: 536°F (280°C)



STANDARD TUBE OD	d <sub>1</sub>	d <sub>2</sub>	d <sub>3</sub>	S	MAXIMUM PRESSURE @ 450°F
	INCH (MM)	INCH (MM)	INCH (MM)	INCH (MM)	PSIG (BAR)
1/2", 3/4"	0.98 (25)	0.71 (18)	0.39 (10)	0.39 (10)	230 (16)
1", 1 1/2"	1.99 (51)	1.61 (41)	0.98 (25)	0.39 (10)	230 (16)
2"	2.52 (64)	2.05 (52)	1.18 (30)	0.39 (10)	230 (16)
2 1/2"	3.05 (78)	2.72 (69)	1.38 (35)	0.39 (10)	230 (16)
3"	3.58 (91)	2.99 (76)	1.57 (40)	0.39 (10)	150 (10)
3 1/2"	4.17 (106)	3.54 (90)	1.97 (50)	0.39 (10)	150 (10)
4"	4.69 (119)	4.02 (102)	2.17 (55)	0.47 (12)	150 (10)
6"	6.57 (167)	5.98 (152)	2.87 (73)	0.63 (16)	90 (6)
8"	8.56 (218)	7.80 (198)	3.94 (100)	0.71 (18)	90 (6)
10"	10.55 (268)	9.65 (245)	4.72 (120)	0.79 (20)	90 (6)
12"	12.56 (319)	11.81 (300)	5.51 (140)	0.87 (22)	90 (6)

10/27/05 Revised Thickness B" Size	<b>METAGLAS®</b> SIGHT GLASS DISC FOR SANITARY CLAMPS SERIES METACLAMP	DATE	NAME
6/6/05 Added 1/2" & 3/4" Size			
6/6/05 Revised Thickness 1 & 1-1/2, 2, 10, 12"			
1/18/99 Revised to Include Pressure Ratings	DES.		
1/18/99 Revised to Include 10" & 12"	CHE'T.		

**L. J. STAR INCORPORATED**  
 2396 EDISON BLVD.  
 P.O. BOX 1116  
 TWINSBURG, OH 44087  
 (330)405-3040 \* FAX (330)405-3070